

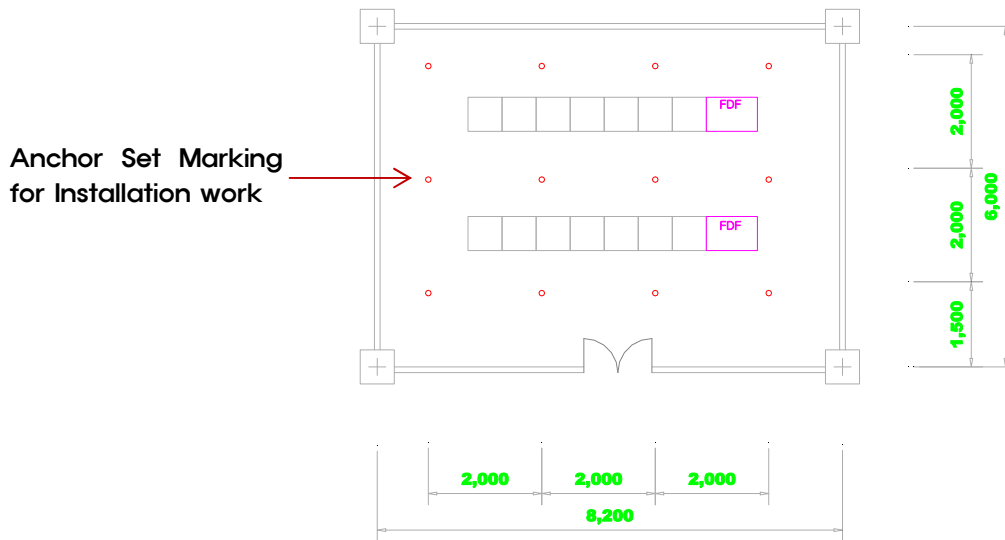
Application Guide

5. General Method for Supporting Dongwoo Tech Ducting System

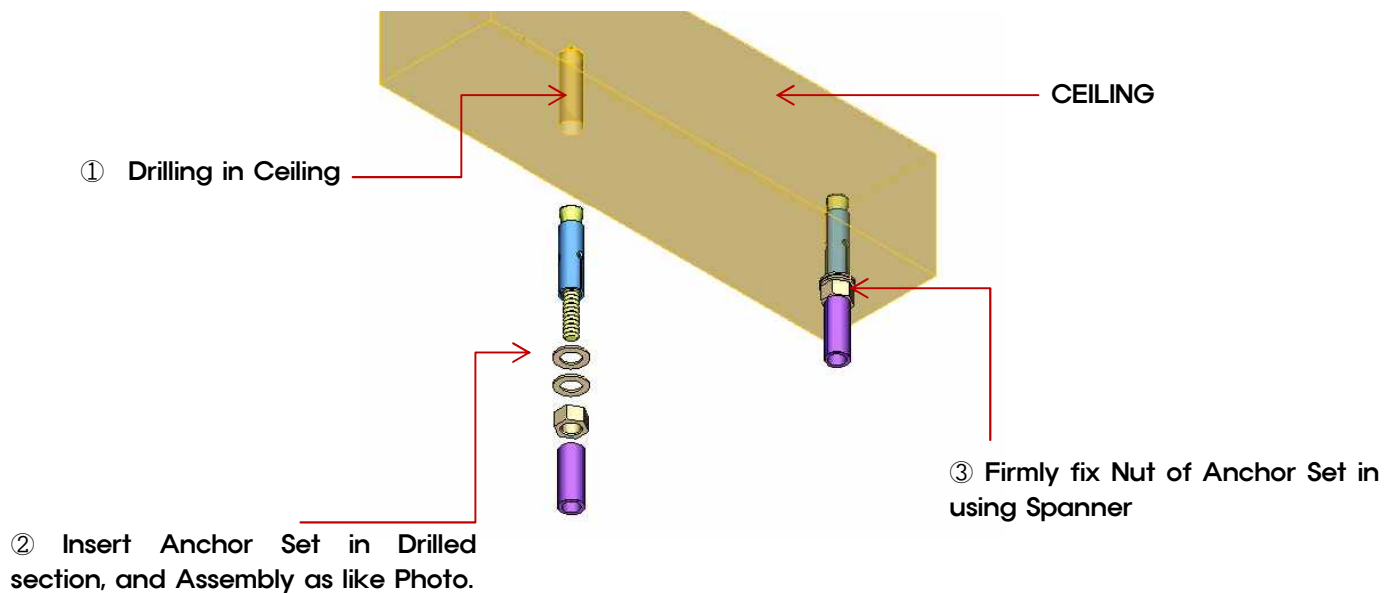
5.1 How to install Anchor Set in Ceiling

1. Please designate the Anchor set work place for Structure.

Structure standard is 1.5m or 3m.



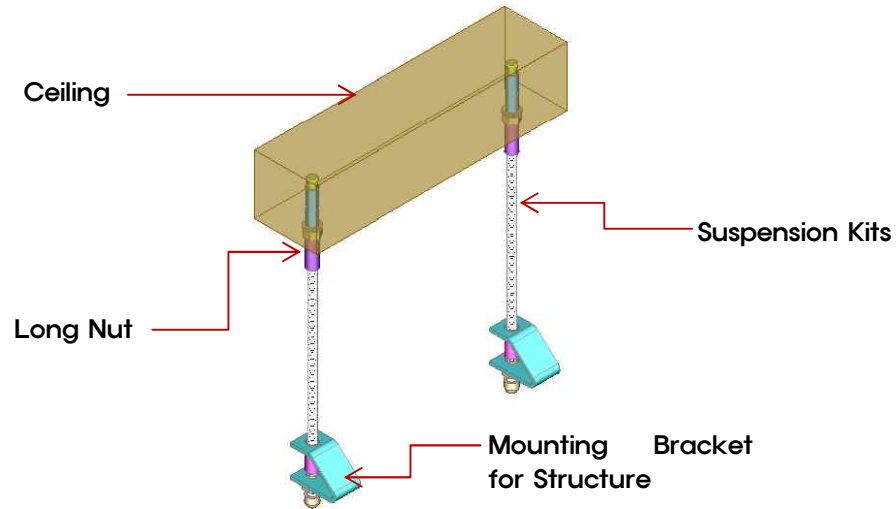
1. Anchor Set work with Suspension Kits Long Type is as follow, and the number in below photo shows the order in doing assembling.



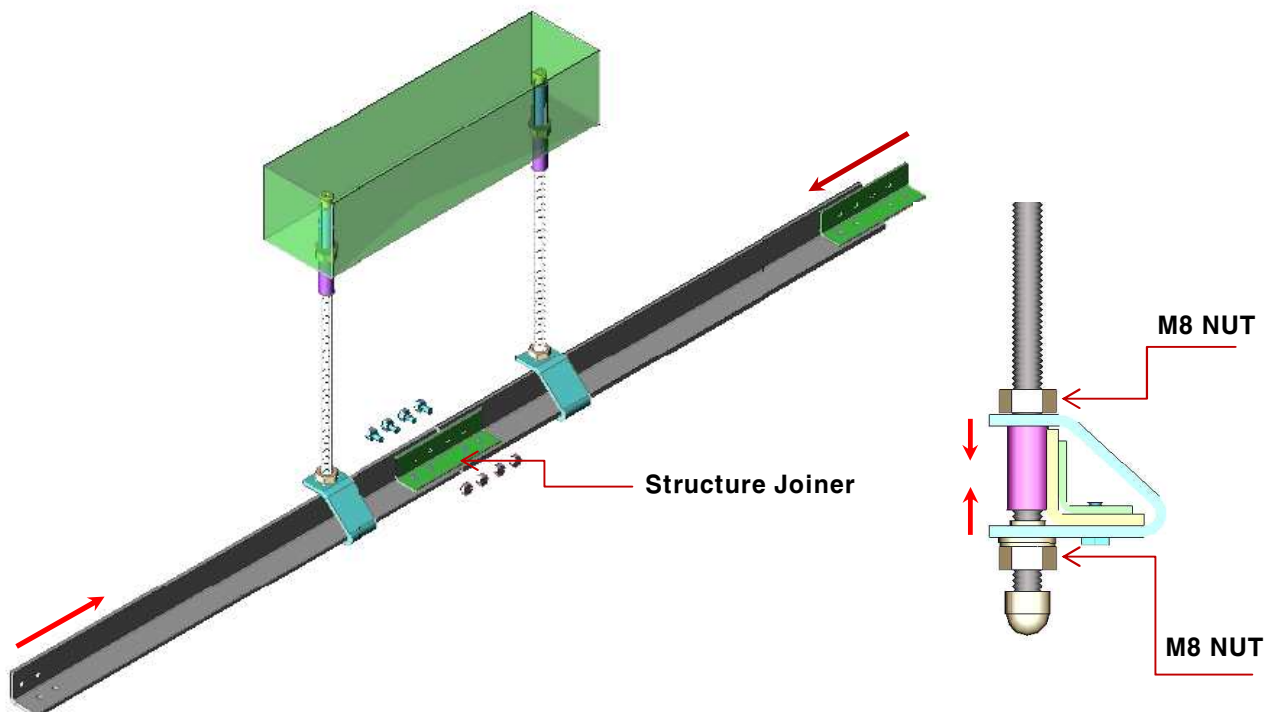
Application Guide

5.2 Suspension Kit Assembly

1. When installed Ducting System in Ceiling area of telecommunication center, after working Anchor Set for Structure work, please procedure & assemble Structure as below.
2. The connection between Anchor Set and Suspension Kits uses Long Nut, and please fix strongly.



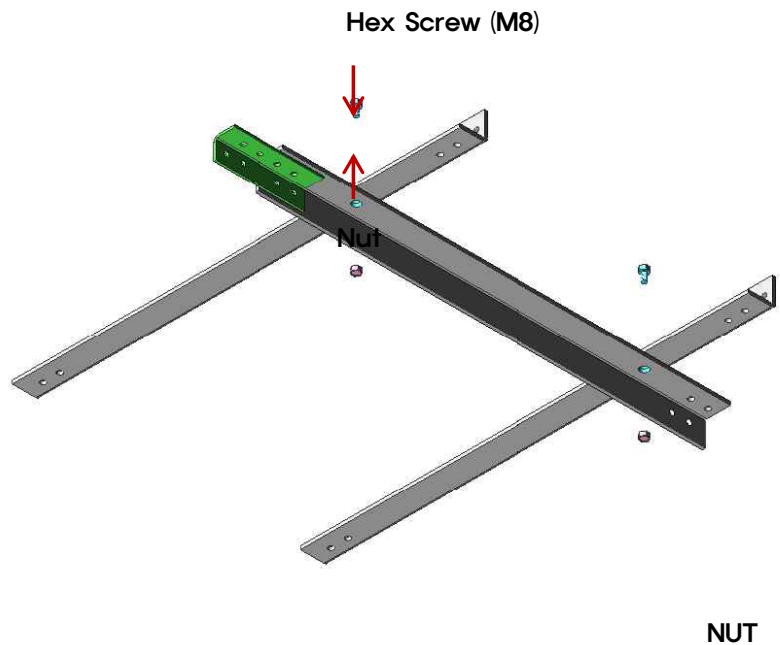
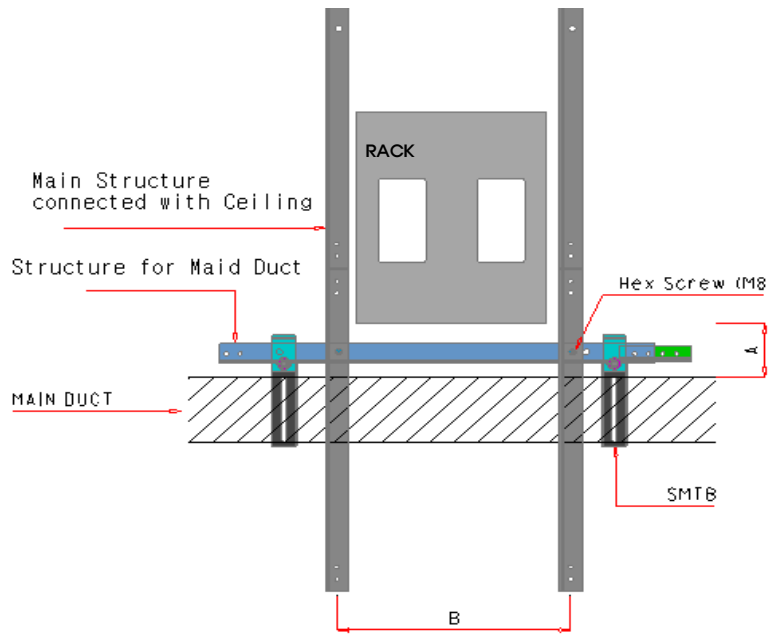
1. After assembling Suspension kits, please put Structure, and then firmly fasten the nut of Mounting Bracket. Further, the Connection among Structure uses Structure Joiner as below.



Application Guide

5.3 How to install the Structure

In case of close distance with Duct and Rack, SUSPENSION KIT has carefully to be installed as below photo, keeping "A" & "B" space.



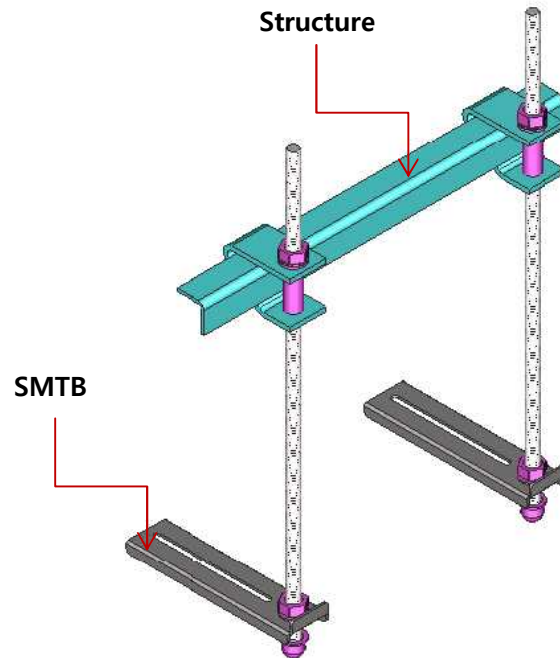
NUT

Application Guide

5.4 SMTB (Side Mount Bracket) Installation

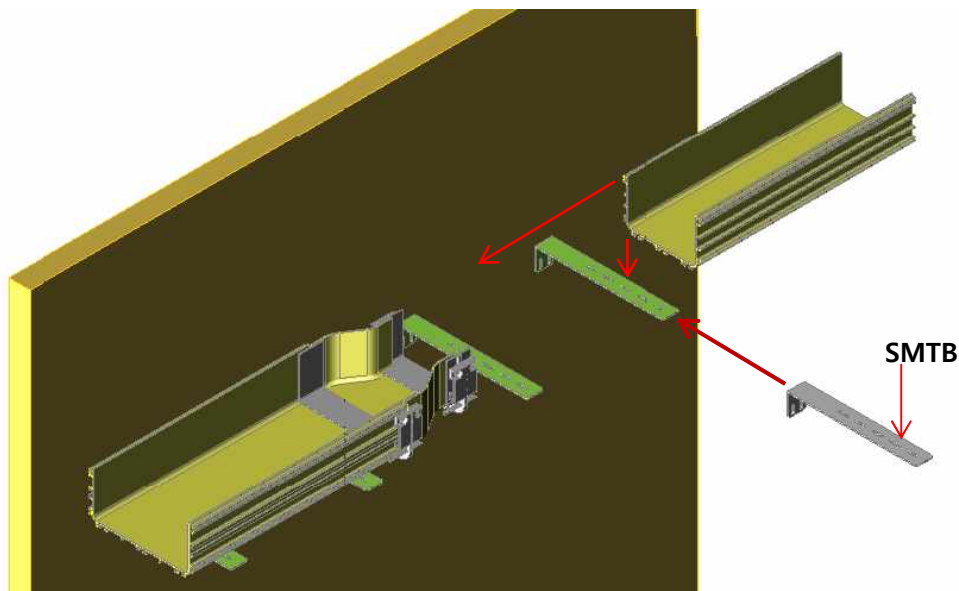
1. As SMTB gets in touch with Duct items, when assembled, please strongly fix every nut.

Additionally, SMTB interval is 90cm~1.20cm according to installation environment, but the recommendable distance is every 90cm.



2. How to install beside wall with SMTB

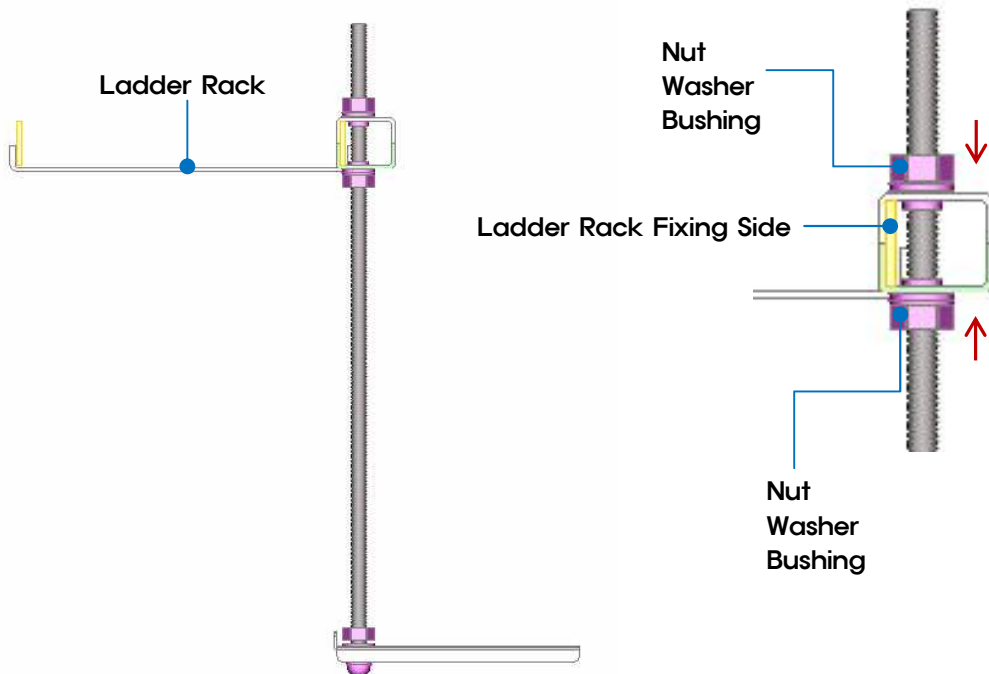
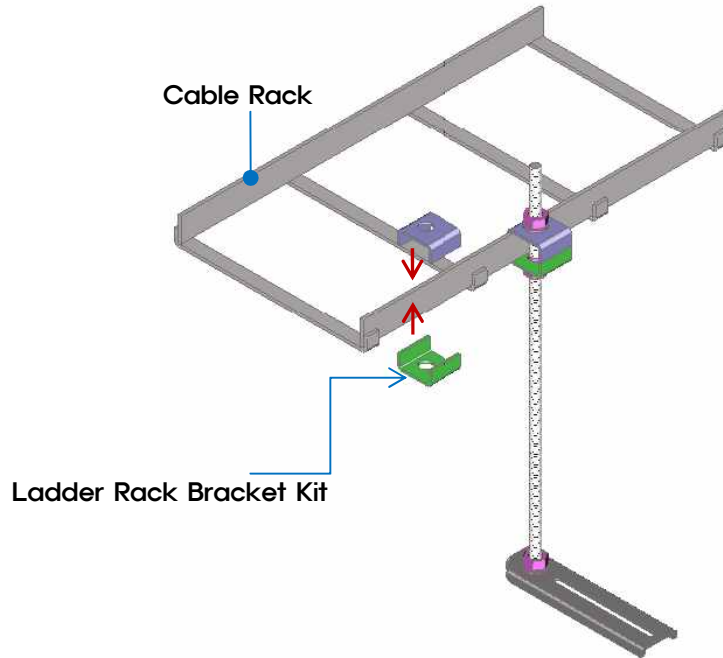
- a. Drilling beside wall.
- b. Fix SMTB as below photo.
- c. Fasten strongly.



Application Guide

5.5 How to install Suspension Kit by using Existing Ladder Rack

When it is hard to install Anchor set on Ceiling due to existing Ladder Rack, please use Ladder rack bracket kit as below. The Ladder bracket kit is made up two units of one set.



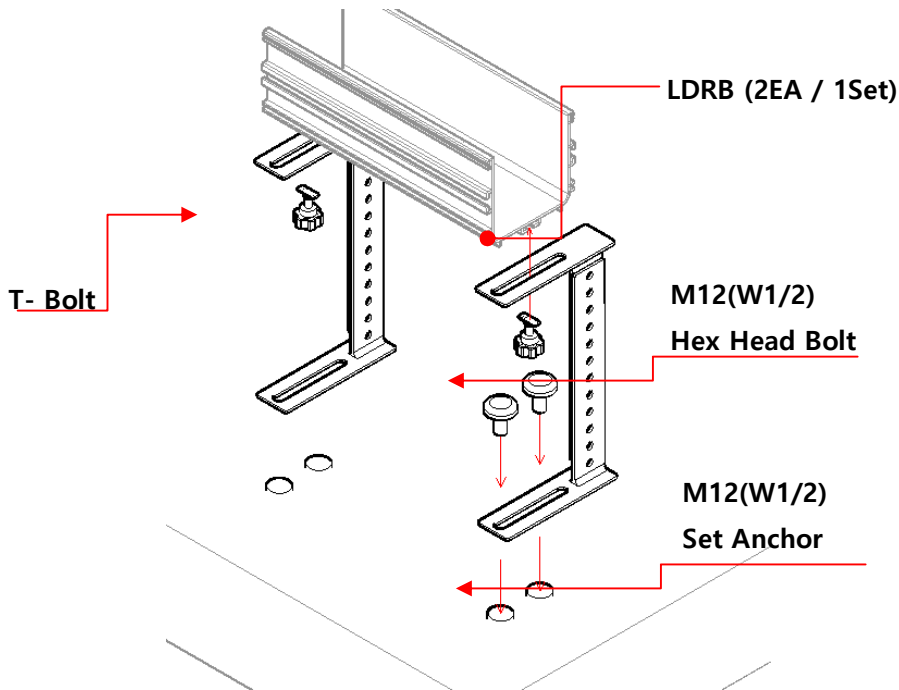
Application Guide

5.6 How to install UnderFloor with LDRB

LDRB composed 2pcs for 1set is the necessary parts to install Main Duct under floor, and please take note as below drawing.

First, Properly specify the location for LDRB in Fiber Optic Ducting Layout, and LDRB installation interval according to installation environment is 90~120cm to tolerate Main Duct weight. However, the recommendable distance is every 90cm.

Second, After working the Anchor Set, solidly fix LDRB by using Bolt on the designated place. Then, Main Duct is fastened by T-Bolt between bottom of Main Duct and top of LDRB.



LDRB is designed as adjustable assembly parts with considering the limited height at working place. Assembling Sequence for LDRB is as below.

